

# LASER DISTANCE METER



In 2009, We are honored to release DLD-M5, a compact hand held laser technology distance meter.

In order to ensure the quality and reliability of each DLD-M5, we implement a series of draconian measures from the smallest product.

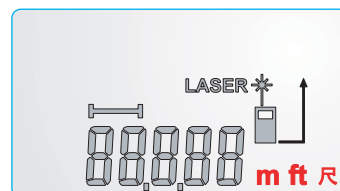
Each "QC PASSED" means DLD-M5 has been taken fully care with by 92 testing items including Optical system test, Structure exam, Operation, Electric analysis, Accuracy checking, Reliability and Durable test, package security and Safety instruction test.

## DLD-M5



Model NO.	DLD-M5
Measure Range*	0.5M~50M
Resolution	0.001M
Typical Accuracy*	±2mm
Measure Speed	0.5 sec.
Laser Type	650 nm, Class II, <1mW
Battery	9V Block Battery
Battery Life	Up to 5000 measurement
Dimension	104.7mm X 61mm X 32m
Color	Silver-blue
Operation Temperature	0°C~40°C
Storage Temperature	-20°C~60°C
Automatic Switch-Off	
- Laser	30 seconds
- DLD-M5	180 seconds

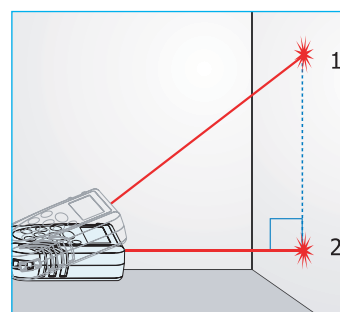
\*The working range and accuracy is depending on how well the laser light is reflected from the surface of the target and with increased brightness of the laser point to the ambient light intensity.



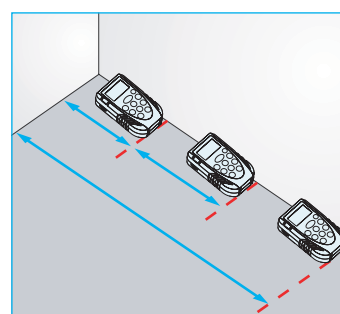
Various Unit m, ft, 尺



Back-light Switch & Laser Pointer Switch



Safety Strap



Quick and Easy

**myzox**  
Myzox Co., Ltd.

401 YAMAGOE NAGAKUTE-CHO  
AICHI-GUN AICHI 480-1111  
JAPAN  
TEL: +81-(0)561-64-2210  
FAX: +81-(0)561-63-7770